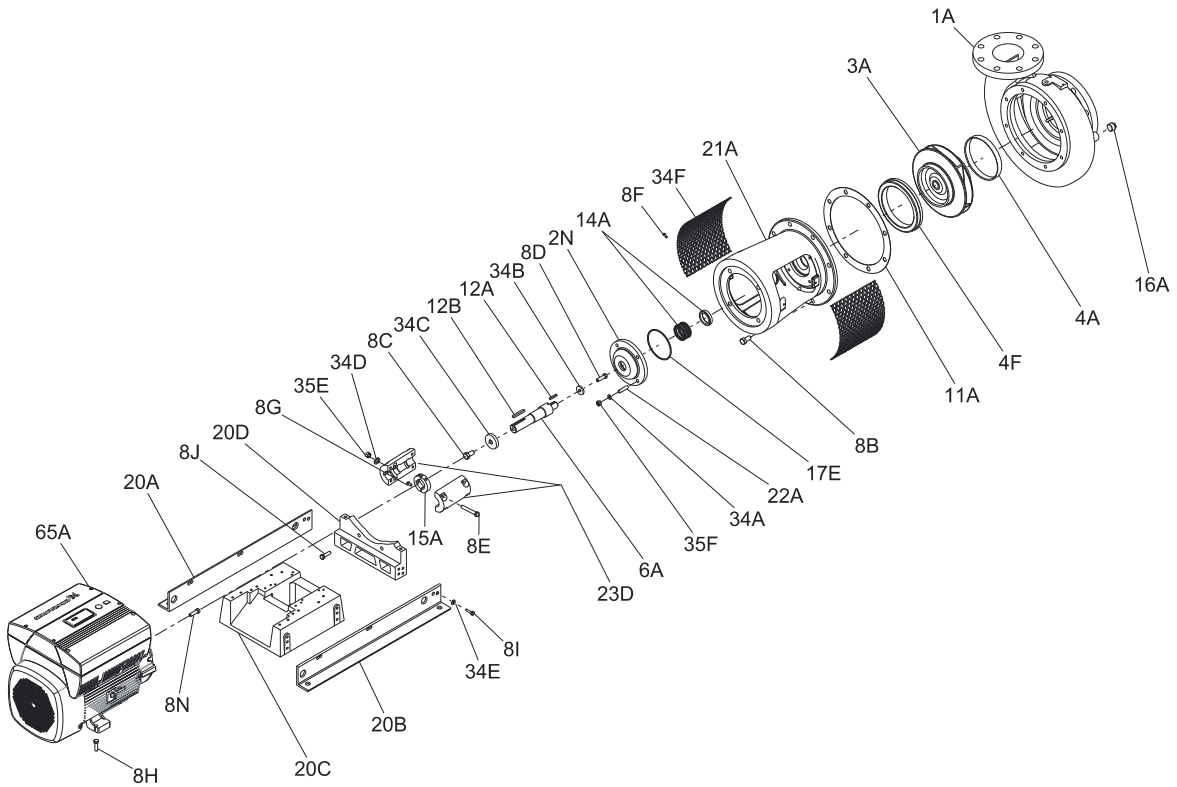


## Grundfos Type LCSE Cross Section



ITEM NO	PART NAME	ITEM NO	PART NAME
1A	VOLUTE	17E	SEAL CAP O-RING
2N	SEAL CAP	20B	BASE RAIL
3A	IMPELLER	20C	MOTOR DECK
4A	CASE WEAR RING	20J	CAST IRON STAND
4F	BALANCE RING	20D	PUMP SUPPORT
6A	PUMP SHAFT	21A	MOTOR BRACKET
8B	VOLUTE SCREW	22A	SEAL CAP STUDS
8C	PUMP SHAFT SCREW	23D	COUPLING HALVES
8E	COUPLING SCREW	24H	BUSHING
8F	COUPLING GUARD SCREW	34B	IMPELLER WASHER
8G	LOCATING RING SCREW	34C	PUMP SHAFT WASHER
8N	MOTOR SCREW	34D	COUPLING WASHER
11A	VOLUTE GASKET	35E	COUPLING NUT
12B	COUPLING KEY	34F	COUPLING GUARD
14A	SEAL ASSEMBLY	35F	SEAL CAP NUT
15A	LOCATING RING	65A	MOTOR
16A	PIPE PLUG		