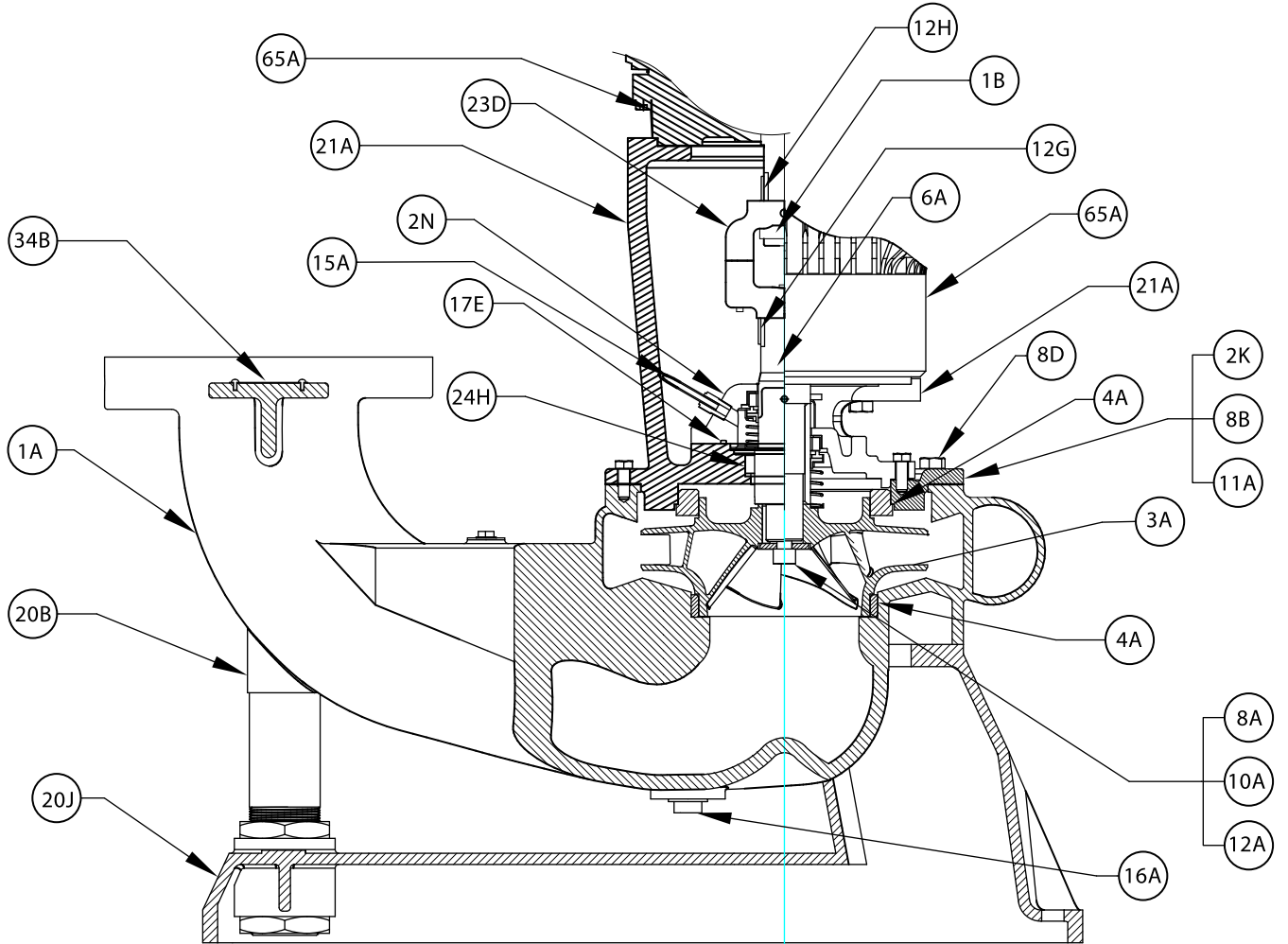


**PACO VSM-VSMS Cross Section**



LABEL	DESCRIPTION	LABEL	DESCRIPTION
1A	VOLUTE	12G	PUMP COUPLING KEY
1B	LOCATING RING	12H	MOTOR COUPLING KEY
2K	BACKPLATE	15A	RECIRCULATION ASSEMBLY
2N	SEAL CAP	16A	PIPE PLUG
3A	IMPELLER	17E	CAP O-RING
4A	IMPELLER WEAR RING	20B	STAND SUPPORT
6A	SHAFT	20J	STAND SUPPORT
8A	IMPELLER SCREW	21A	BRACKET
8B	VOLUTE SCREW	23D	COUPLING
8D	BACKPLATE SCREW	24H	BUSHING
10A	IMPELLER WASHER	34B	NAMEPLATE
11A	VOLUTE GASKET	65A	MOTOR
12A	IMPELLER KEY		